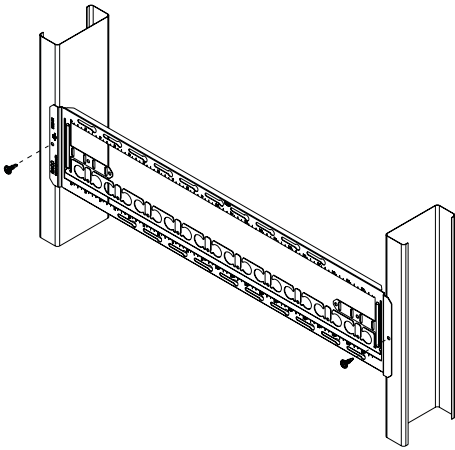


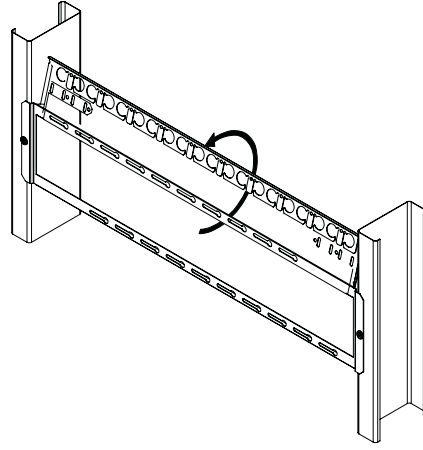
Instructions for using RACO open center bracket 9016R and 9024R

A minimum of (1) far side support must be installed on each electrical box, to retain cUL listing in Canada

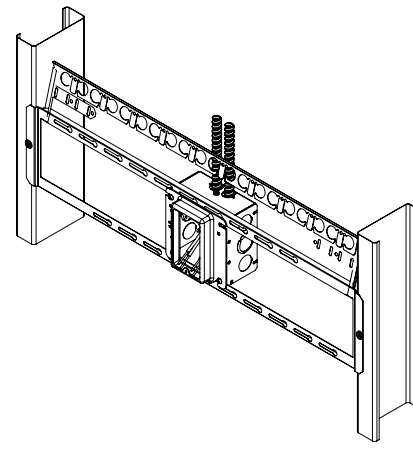
STEP 1.
Attach open center bracket
with (2) screws



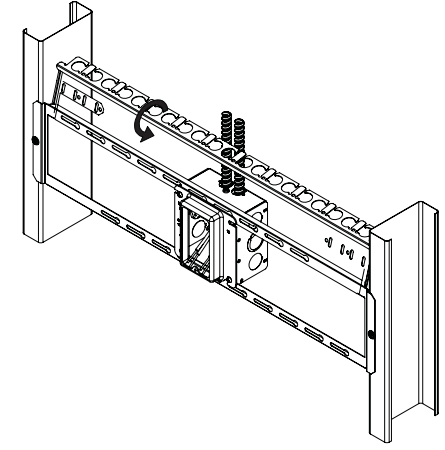
STEP 2.
Rotate back center piece almost
180° until it stops



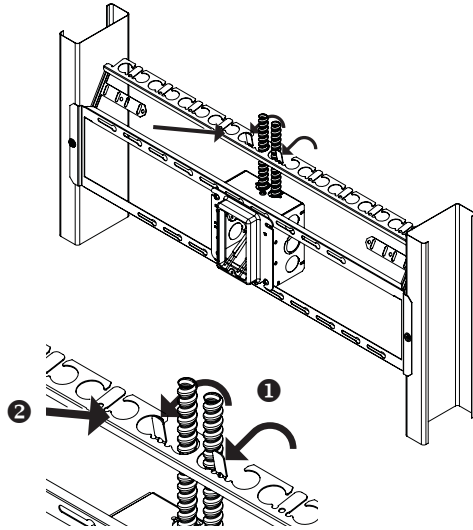
STEP 3.
Install box and cables



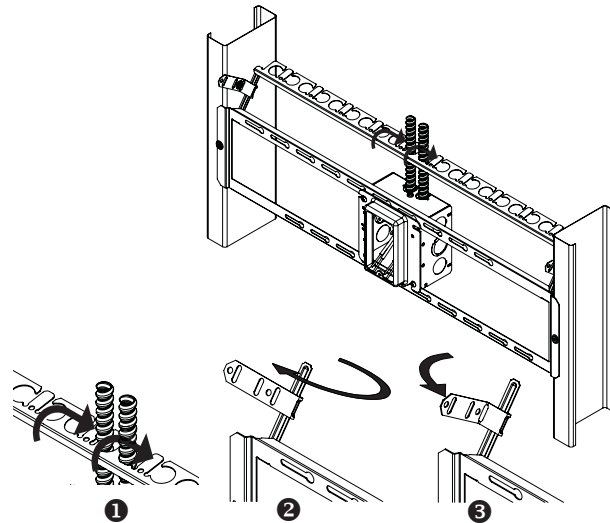
STEP 4.
Rotate back top section 90°



STEP 5.
① Bend up tabs adjacent to the cables 90°
② Push back top section until it hits the cables



STEP 6.
① Bend down tabs adjacent to the cables 90°
② Bend side tabs 180°
③ Bend side tabs 90°



STEP 7.
① Bend side tabs back 90°
② Install screws as shown

